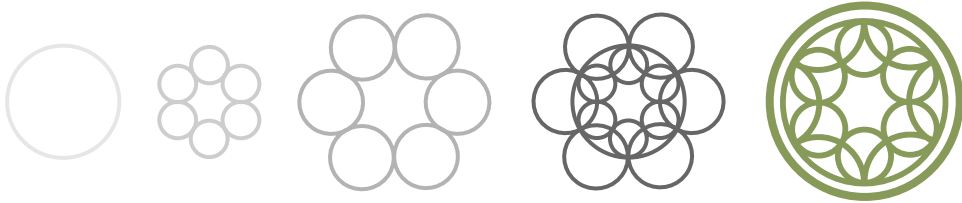




NEW CITY
presbyterian church

JUNE 12, 2022

WELCOME TO NEW CITY PRESBYTERIAN CHURCH



New City is a collection of people of all ages and professions, from a wide variety of spiritual and social backgrounds. We embrace Jesus' claims to be true and transformational. We also believe the central message of the Bible is the good news, or "gospel," of a God who created us for Himself and desires us to live fully as we enjoy relationship with Him and with each other.

The Bible's radical message of grace centers on Jesus and creates a new city comprised of renewed individuals living not for themselves but for the God who redeems. For this reason, New City exists to be a community rooted in truth, real in conversation, and hopeful for deep renewal in our lives and our city.

As the Senior Pastor of New City, it is my privilege to welcome you and to invite you to be astonished, together with us, by the splendor and grace of God.



Rev. Ryan McVicar

NEW CITY VISION & VALUES

*To be people in awe of God, made new by the gospel,
for the sake of people throughout our city, the nations,
and the generations to come.*

Our vision leads us to hold closely three values that shape our life and ministry as a church:

ROOTED CONVICTION in the truths of God's Word

REAL CONVERSATION as we engage the gospel, culture, and each other

RENEWAL OF THE CITY as we live and do life in relationship with God

God always comes to us before we can come to Him. Biblical worship is a response to God's gracious revelation of Himself, calling us to worship.



CALL TO WORSHIP

GATHERING HYMN

All Creatures Of Our God And King

*St. Francis of Assisi, William Henry Draper.
1225, Public Domain*

All creatures of our God and King
Lift up your voice and with us sing
Oh praise Him; alleluia
Thou burning sun with golden beam
Thou silver moon with softer gleam
Oh praise Him, oh praise Him
Alleluia, alleluia, alleluia

Let all things their Creator bless
And worship Him in humbleness
Oh praise Him; alleluia
Praise, praise the Father, praise the Son
And praise the Spirit, Three-in-One
Oh praise Him, oh praise Him
Alleluia, alleluia, alleluia

All the redeemed washed by His blood
Come and rejoice in His great love
Oh praise Him; alleluia
Christ has defeated every sin
Cast all your burdens now on Him
Oh praise Him, oh praise Him
Alleluia, alleluia, alleluia

He shall return in power to reign
Heaven and earth will join to say
Oh praise Him; alleluia
Then who shall fall on bended knee
All creatures of our God and King
Oh praise Him, oh praise Him
Alleluia, alleluia, alleluia

Baptism is the washing with water, in the name of the Father, Son, and Holy Spirit, to signify and seal three spiritual realities:

- 1) Our ingrafting into the body of Christ.
- 2) Our partaking of the covenant of grace.
- 3) Our engagement to be the Lord's

THE SACRAMENT OF CHRISTIAN BAPTISM

Today, we are delighted to celebrate the baptism of Davis William Rogers, son of Jeffrey and Lauren Rogers, born June 6, 2021.

BAPTISM VOWS

PARENTAL VOWS:

Do you acknowledge your child's need of the cleansing blood of Jesus Christ, and the renewing grace of the Holy Spirit?

Do you claim God's covenant promises on behalf of your child, and do you look in faith to the Lord Jesus Christ for his salvation, as you have for your own?

Do you now unreservedly commit your child to God, and promise in humble reliance upon divine grace, that you will endeavor to set before him a godly example, that you will pray with and for him, that you will teach him the doctrines of the Christian Faith, and that you will strive, by all the means of God's appointment, to bring him up in the nurture and admonition of the Lord?

CONGREGATIONAL VOWS:

Will you, as members of New City Church, promise to guide and nurture Davis by word and deed, with love and prayer, encouraging him to know and follow Christ, and to be a faithful member of His Church?

BAPTISMAL READING

Proverbs 22:6

Train up a child in the way he should go;
even when he is old he will not depart from it.

BAPTISMAL PRAYER PASTORAL PRAYER

The Baptismal prayer is a prayer offered by the minister to bless the covenant child, or confessing adult, as they grow deeper into the reality of their baptism. It's also a call to church members to remember God's faithfulness and find strength in their own baptism.



HYMN OF PRAISE

Better Is One Day (Psalm 84)

Matt Redman.

© 1995 Thankyou Music
CCLI #1097451

How lovely is Your dwelling place, O Lord almighty
For my soul longs and even faints for You
For here my heart is satisfied, within Your presence
I sing beneath the shadow of Your wings

*Better is one day in Your courts
Better is one day in Your house
Better is one day in Your courts
Than thousands elsewhere*

One thing I ask, and I would seek; to see Your beauty
To find You in the place Your glory dwells

My heart and flesh cry out for You the living God
Your Spirit's water to my soul
I've tasted, and I've seen; come once again to me
I will draw near to You
I will draw near to You

During the remainder
of our worship service,
preschool-aged children
are welcome to stay
with their parents in the
Sanctuary, or will now
be dismissed to attend
Kids' Bible Time.

CHILDREN'S DISMISSAL

WELCOME & ANNOUNCEMENTS

VISITING US?

We would love to know more about you and how to serve you. Please scan this QR code with your smartphone to let us know you came and so that we can follow-up with you.



All we have is given to us by God. Our offerings express this joyful dependence, and our commitment to join God in His work of renewal.

TITHES & OFFERINGS

FOR TEXT & ONLINE GIVING

Text dollar amount (e.g.: \$50) to 843-21
Give online through Church Center, at newcitypc.churchcenter.com/giving or by scanning the QR code.



Alternatively, A dropbox is available in the Welcome Area for cash or check offerings.



DOXOLOGY

Praise God From Whom All Blessings Flow

*Thomas Ken.
1551, Public Domain*

The word "doxology" comes from the Greek translation of the Old Testament word for worship. Throughout our service, we respond to the gospel of God's grace with songs of praise!

Praise God, from Whom all blessings flow;
Praise Him, all creatures here below;
Praise Him above, ye heavenly host;
Praise Father, Son, and Holy Ghost.
Amen.



PROFESSION OF FAITH

Westminster Confession of Faith, Article 2.3

As a confessional church, we participate in the rich heritage of biblically faithful summaries which seek to build and strengthen our faith in Christ. Creeds, Confessions, and Catechisms serve us in this regard.

In the unity of the Godhead there be three persons, of one substance, power, and eternity: God the Father, God the Son, and God the Holy Ghost. The Father is of none, neither begotten nor proceeding; the Son is eternally begotten of the Father; the Holy Ghost is eternally proceeding from the Father and the Son.



PRAYER OF ILLUMINATION

In anticipation of the proclamation of God's Word, we lift a prayer to God asking Him to speak to us through His living Word.



THE PROCLAMATION OF GOD'S WORD

When we hear the Word of God proclaimed and preached, we are listening to the voice of God. The Holy Spirit makes the inspired texts and spoken words the chief means of nourishing and comforting God's people, and awakening others to new faith.

Psalm 51 (ESV)

TO THE CHOIRMASTER. A PSALM OF DAVID, WHEN NATHAN THE PROPHET WENT TO HIM, AFTER HE HAD GONE IN TO BATHSHEBA.

¹ Have mercy on me, O God, according to your steadfast love; according to your abundant mercy blot out my transgressions.

² Wash me thoroughly from my iniquity, and cleanse me from my sin!

³ For I know my transgressions, and my sin is ever before me.

⁴ Against you, you only, have I sinned and done what is evil in your sight, so that you may be justified in your words and blameless in your judgment.

⁵ Behold, I was brought forth in iniquity, and in sin did my mother conceive me.

⁶ Behold, you delight in truth in the inward being, and you teach me wisdom in the secret heart.

⁷ Purge me with hyssop, and I shall be clean; wash me, and I shall be whiter than snow.

⁸ Let me hear joy and gladness; let the bones that you have broken rejoice.

⁹ Hide your face from my sins, and blot out all my iniquities.

¹⁰ Create in me a clean heart, O God, and renew a right spirit within me.

¹¹ Cast me not away from your presence, and take not your Holy Spirit from me.

¹² Restore to me the joy of your salvation, and uphold me with a willing spirit.

¹³ Then I will teach transgressors your ways, and sinners will return to you.

¹⁴ Deliver me from bloodguiltiness, O God, O God of my salvation, and my tongue will sing aloud of your righteousness.

¹⁵ O Lord, open my lips, and my mouth will declare your praise.

¹⁶ For you will not delight in sacrifice, or I would give it; you will not be pleased with a burnt offering.

¹⁷ The sacrifices of God are a broken spirit; a broken and contrite heart, O God, you will not despise.

¹⁸ Do good to Zion in your good pleasure; build up the walls of Jerusalem;

¹⁹ then will you delight in right sacrifices, in burnt offerings and whole burnt offerings; then bulls will be offered on your altar.

Sermon Series

Psalms for the Summer

Rev. Ryan McVicar



Crushed Bones, A Clean Heart, And News That Has To Be Shared

THE SACRAMENT OF HOLY COMMUNION

Communion—also known as the Lord’s Supper—has always been a common, shared, joyous family meal. This meal is for those who have placed their faith in Jesus Christ; for those Baptized Christians who trust in His once-for-all sacrificial death upon the cross for their salvation. When we celebrate this feast, we commune with the risen Lord Jesus who stands as our host to offer spiritual nourishment, renewal and life. We also commune with one another, participating together in the reconciling grace of God.

We warmly welcome to the table all who trust in Jesus and who have publicly professed their faith as members of a Christian congregation. At New City, we ask our children not to take communion until they have met with the elders to share of their faith in Christ, although all children are invited to come forward to receive a blessing and a word of encouragement. If you are not a Christian, we encourage you to spend this time reflecting on the prayers below in the hopes that a relationship with Jesus and membership in His Church may be considered.

You will be directed to make your way to one of the four stations in our sanctuary where you will receive the bread and the wine (gluten-free cracker and grape juice available). Please take it back to your place so we can partake together.

**Jesus is truly and spiritually present and stands ready to feed you.
Come hungry. Come thirsty. Come ready to be filled.**

INDIVIDUAL PRAYERS FOR PRAYING DURING COMMUNION

PRAYER FOR THOSE SEARCHING FOR THE TRUTH

Lord Jesus, You claim to be the way, the truth and the life. If what You claim is true, please guide me, teach me, and open to me the reality of who You are. Grant that I might be undaunted by the cost of following You as I consider the reasons for doing so. Give me an understanding of You that is coherent, convincing, and that leads to the life that You promise. Amen.

PRAYER OF BELIEF

Lord Jesus, I admit that I am weaker and more sinful than I ever before believed, but through You, I am more loved and accepted than I ever dared to hope. I thank You for paying my debt, bearing my punishment on the cross and offering forgiveness and new life. Knowing that You have been raised from the dead, I turn from my sins and receive You as my Savior. Amen.

PRAYER OF HUMBLE ACCESS

I do not presume to come to Your table, O merciful Lord, trusting in my own goodness, but only in Your righteousness credited to me. I am not worthy so much as to gather up the crumbs under Your table. But You are the same Lord whose manner is always to show mercy. Grant me, O Lord, the grace to commune now with Christ by faith, that I may evermore live in Him and He in me. Amen.

The Call To Repentance is an invitation to privately examine and prepare our hearts to confess our sins.

CALL TO REPENTANCE

ALL

Because of the gospel, our relationship with God is a relationship in which honesty about our sin is welcome and safe. Therefore, with one voice, we are able to openly and sincerely confess our sins to Him.

CORPORATE PRAYER OF CONFESSION

Merciful God, who pardons all who truly repent and turn to you, we humbly confess our sins. We have not loved you with a pure heart, neither have we loved our neighbors as ourselves. We have not done justly, nor loved mercy. Have mercy upon us, O Lord, according to your loving-kindness. According to the multitude of your tender mercies, blot out our iniquities. Create in us a clean heart, O God, and renew a right spirit within us. Cast us not away from your presence and take not your Holy Spirit from us. Restore to us the joy of our salvation and uphold us with your Spirit. Amen.

MINISTER

God's Word assures us of our forgiveness in Christ, and we cannot but continue in praise to the grace, mercy, and peace offered to us.

ASSURANCE OF FORGIVENESS

Isaiah 1:18

¹⁸ "Come now, let us reason together, says the Lord: though your sins are like scarlet, they shall be as white as snow; though they are red like crimson, they shall become like wool.

MINISTER

All who can examine themselves regarding their faith and participation in Christ, are invited to participate in the Lord's Table.

INVITATION TO THE TABLE

MINISTER

This prayer is offered to set apart the bread and the wine as holy, for the purpose of nourishing us spiritually through our communion with Christ.

PRAYER OF CONSECRATION



HYMN AT THE TABLE

Have mercy on me, oh God
According to Your unfailing love
According to Your great compassion
Blot out my transgressions

*Would You create in me a clean heart, Oh God
Restore in me the joy of Your salvation*

The sacrifices of our God
Are a broken and contrite heart
Against you and you alone
Have I sinned

Wash me white as snow, and I will be made whole
Wash me white as snow, and I will be made whole
Wash me white as snow, and I will be made whole
Wash me white as snow

White As Snow (Psalm 51)

Jon Foreman.

© 2008, Rubadub Rubishing Publishing
CCLI #5496329

MINISTER

The Words of Institution
echo Jesus' words at
the Last Supper, now
inviting us to partake of
the Bread and Wine in
remembrance of Him.

WORDS OF INSTITUTION AND PARTAKING OF THE BREAD & WINE



HYMN OF TRUST

Beautiful And True

Ryan McVicar, Josh Rodriguez.
2016, New City Music

Your word is beautiful and true
All You've said can be fully trusted
But the world says to run, to abandon hope
But I will stand by faith in the wisdom of Your word
Not my ways, or my thoughts, not my wisdom, but Yours

Your work in Christ is beautiful and true
All You've done can be fully trusted
But my flesh says do more, to work harder
But I will rest by faith in the finished work of Christ
Not my works, or my goodness, not my blood, sweat, and tears, but Yours

Your kingdom is beautiful and true
Soon on earth as it is in Heaven
But the siren call I hear is seek first my will
But I will run by faith in the power of your Spirit
Not my name, not my fame, not my kingdom, but Yours

Your Kingdom come, Your will be done
All things made new, through the Father's Word
Your Kingdom come, Your will be done
All things made new, through the reigning Son
Your Kingdom come, Your will be done
All things made new, through the Spirit's power

BENEDICTION

Our gathered worship service concludes with God's blessing; a joyful declaration of God's satisfaction in us through Jesus Christ, and a vow to be in fellowship with us as we scatter.

BUILDING MAP

3

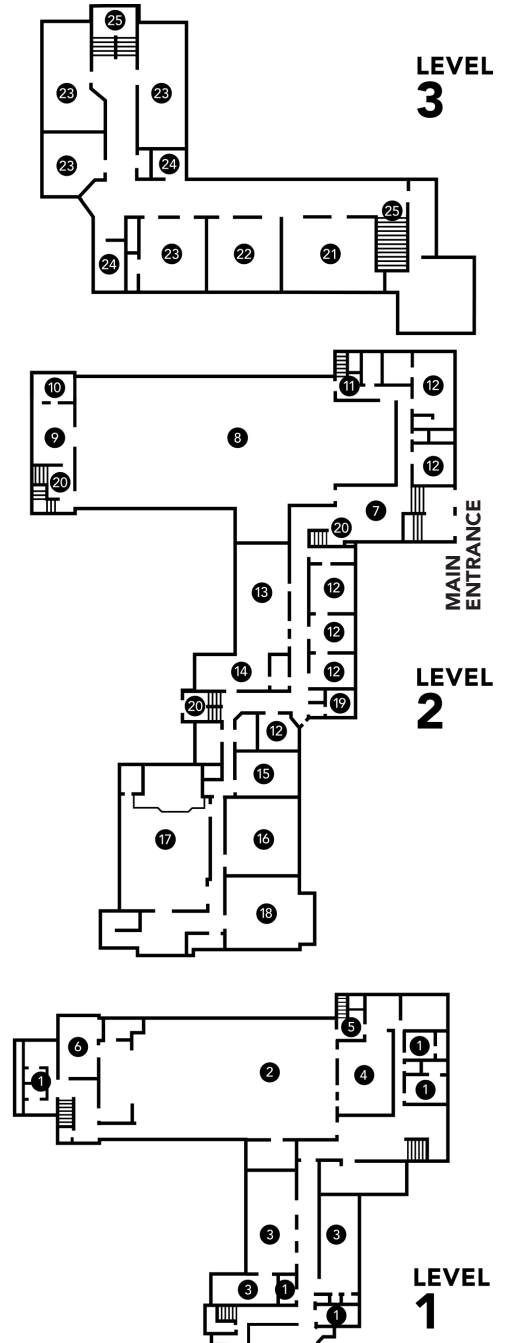
- 21 CONFERENCE ROOM
- 22 GRIFFIN WORKSPACE
- 23 STAFF OFFICES
- 24 RESTROOMS
- 25 STAIRS

2

- 7 WELCOME AREA
- 8 SANCTUARY
- 9 PINECREST LOBBY
- 10 CRYROOM
- ♿ 11 ELEVATOR
- 12 NURSERY
- 13 FIREPLACE ROOM
- 14 GARDEN ROOM
- 15 NC STUDENTS CAFE
- 16 NC STUDENTS REC ROOM
- 17 CHAPEL
- 18 DRAYTON ROOM
- ♿ 19 RESTROOMS
- 20 STAIRS

1

- 1 RESTROOMS
- 2 GATHERING PLACE
- 3 NC KIDS
- 4 KITCHEN
- 5 ELEVATOR
- 6 BACKSTAGE ROOM



PASTORAL NEEDS

New City Elders
session@newcitypc.org

FAMILY & STUDENT MINISTRY

Matt Luchenbill
matt.luchenbill@newcitypc.org

NEW CITY KIDS

Brigitte Bailey
brigitte.bailey@newcitypc.org

NURSERY & TODDLERS

Angela Wood
angela.wood@newcitypc.org

WORSHIP, MEDIA, & COMMUNICATIONS

Javier Contesse
javier.contesse@newcitypc.org

SUNDAY OPERATIONS

Eric Bonner
eric.bonner@newcitypc.org

OFFICE & FINANCIAL NEEDS

Tracy Reynolds
tracy.reynolds@newcitypc.org

EVENTS NEEDS

Amanda Heverly
amanda.heverly@newcitypc.org

CCLI LICENSE

#11108317

WIFI PASSWORD

NewCity2022!

Visit our website at:

NEWCITYPC.ORG

CONTACT NEW CITY

(248) 808-2523
2441 Pinecrest Dr.
Ferndale, MI 48220
info@newcitypc.org

New City News is our weekly email newsletter.

Subscribe to receive the latest news at

newcitypc.org/subscribe

Sign-up to receive our text notifications,

tex **newcitytexts** to 97-000.

Find us on Facebook, Instagram, and YouTube

under the **@newcitypc** handle.



VISITING US?

Thank you for spending some time with us and getting to know us first-hand! We are excited to finally be in our property and in this season of transition into our beautiful new building. We would love to know more about you and how to serve you. Please scan this QR code with your smartphone to let us know you came and so that we can follow-up with you.



SMALL GROUPS

Our new Small Group season has launched with several groups already meeting, and many new groups to explore. Small Groups are New City's main avenue for cultivating relationships in Christ, and experiencing the deepest blessings of what it means to be in community. For more information scan QR code or visit: **newcitypc.org/smallgroups**



NEED PRAYER?

Our Prayer ministry team seeks to undergird and strengthen New City's congregation, mission, and ministries through prayer. Please let us know how we can pray for you!

